

ALPHATRON PEDESTAL



OWNER'S MANUAL

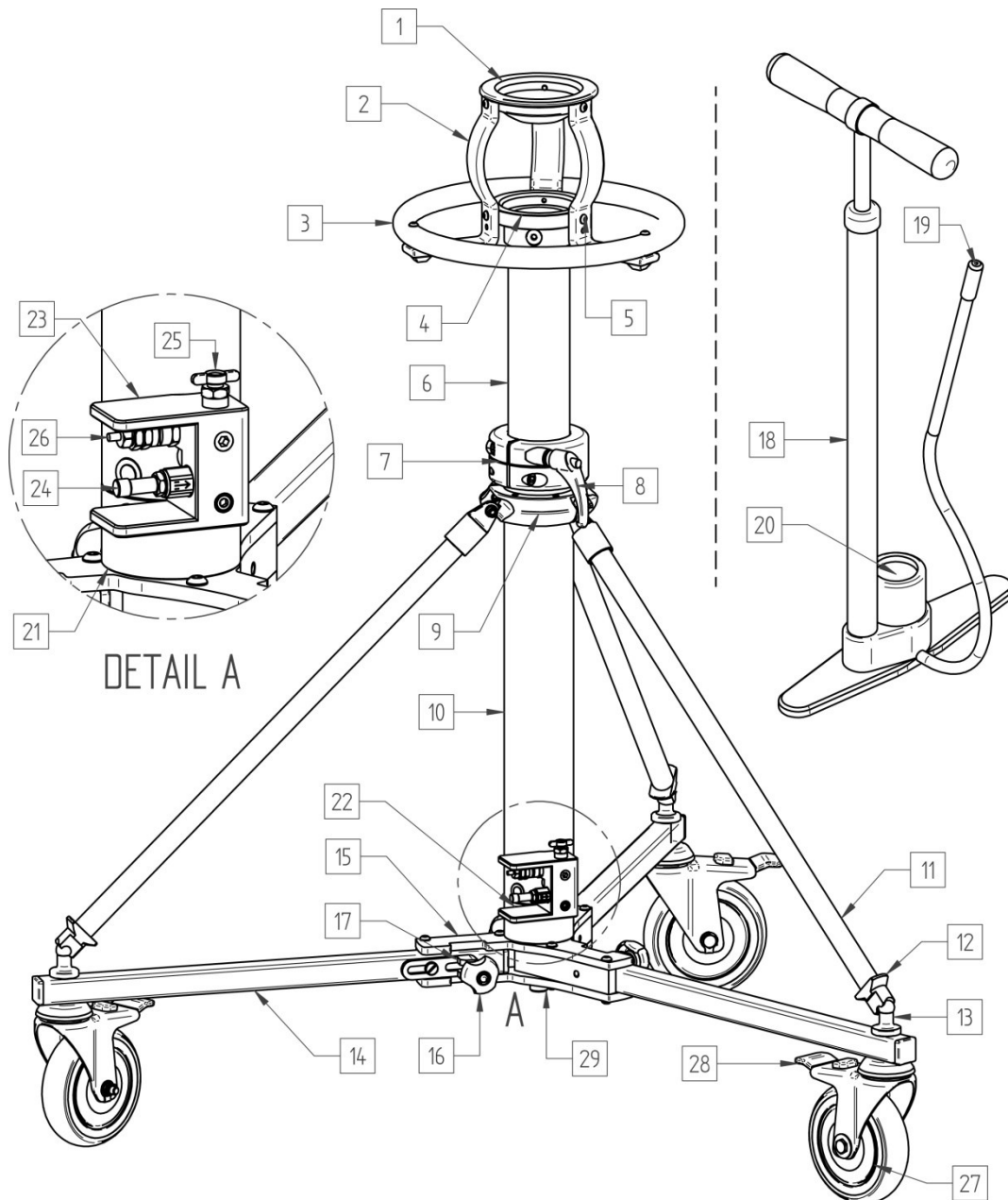
Please read this manual carefully before using the Alpatron Pedestal!

1. INTRODUCTION

These instructions give you a **full mounting description** and information about the **main functions** of the Alphatron Pedestal Column and Dolly. The flexible use of the Pedestal column makes your equipment more applicable to your various working situations. The Pedestal combines design and affordability into a flexible new Camera Support System. The Pedestal System includes extensions for several set-up possibilities.

2. LIST OF FUNCTIONS

- | | | |
|-----------------------------|------------------------|---------------------------|
| 1. 100 mm Bowl | 11. Spider Legs | 21. Base Piece Column |
| 2. Bowl Brackets | 12. Spider Feet | 22. Locking Screws Base |
| 3. Steering Wheel | 13. Tensioning Pen | 23. Air Pressure Block |
| 4. Central Piece Bowl Unit | 14. Dolly Legs | 24. Safety Valve |
| 5. Locking Screws Bowl Unit | 15. Dolly Housing | 25. Set Knob Air Pressure |
| 6. Inside Column Pedestal | 16. Locking Knob Legs | 26. Schrader Valve |
| 7. Clamp System Column | 17. Shift Block | 27. 125mm Wheels |
| 8. Clamp Handle Column | 18. High Pressure Pump | 28. Double Wheel Brake |
| 9. Spider Clamp Ring | 19. Hose Connection | 29. Mounting Screw Base |
| 10. Outside Column | 20. Pressure Meter | |

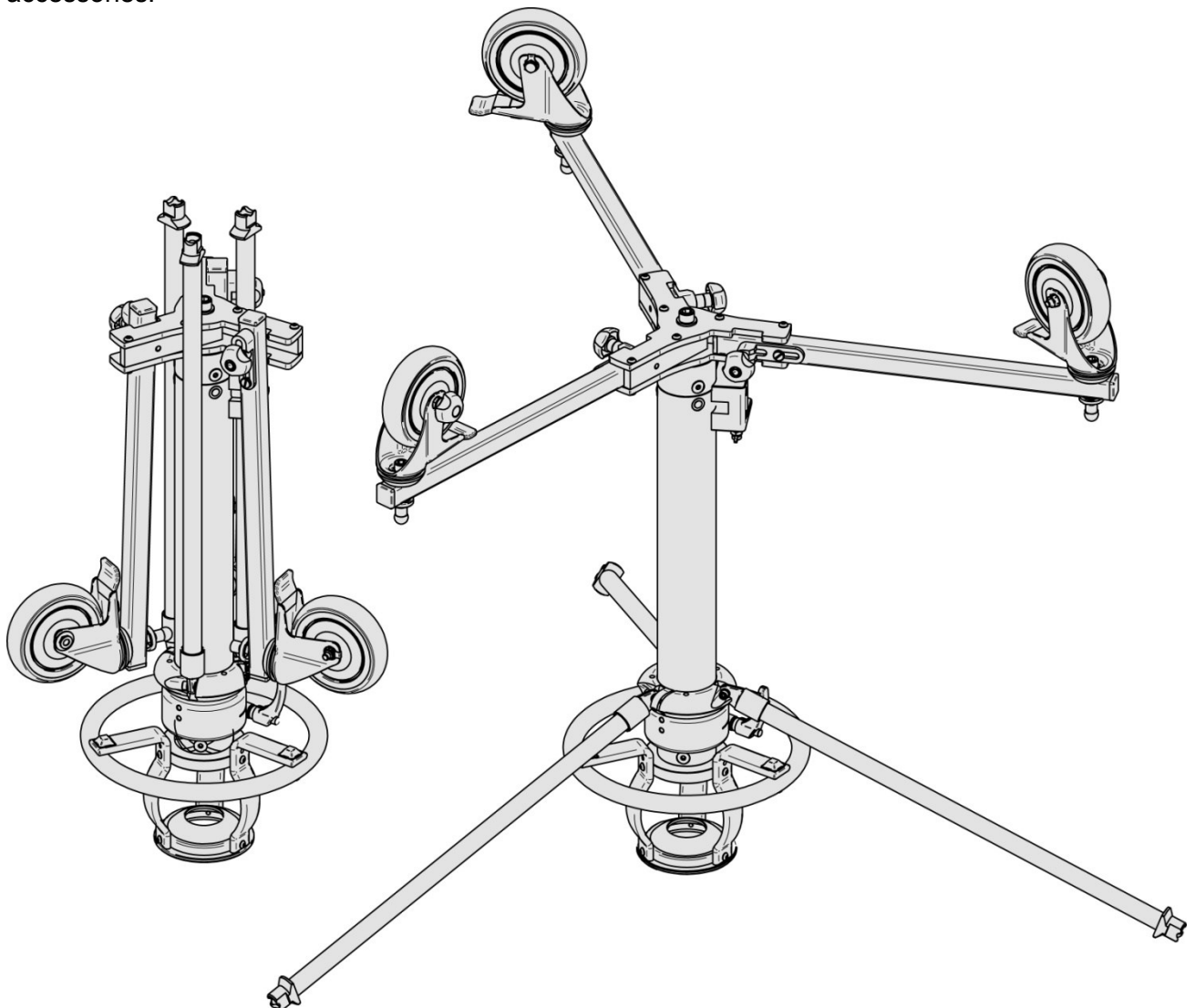


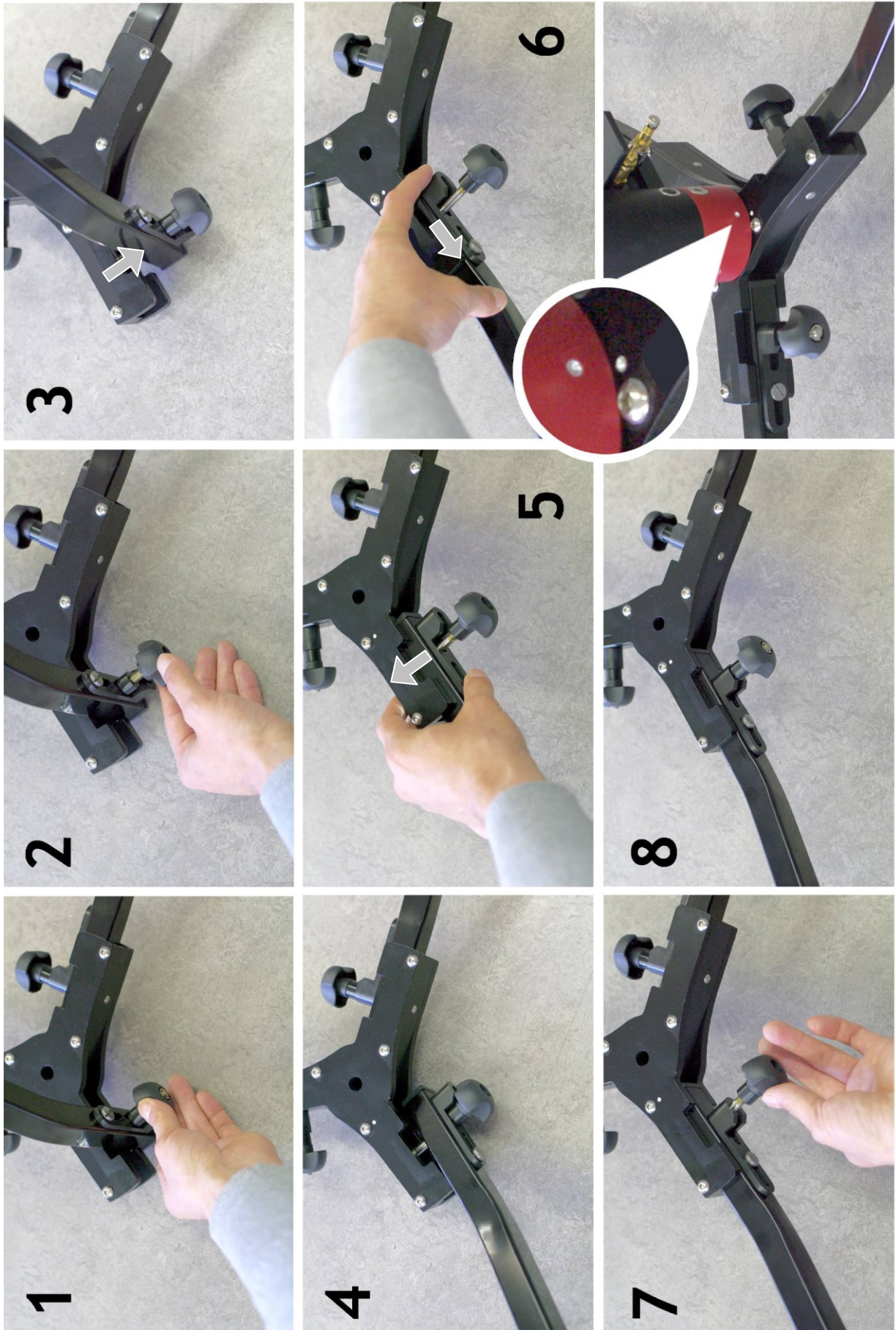
3. SETTING UP INSTRUCTION

3A NORMAL SET-UP:

- Place your folded Pedestal up-side-down (see picture). Unlock the Dolly Legs (14) using the Locking Knob (16). Release them as much as is necessary to take out the leg and set it parallel to the Dolly Housing (15). Then push it into the Housing, glide the Shift Block (17) into the alternate position and fix the leg with the same locking knob. Do the same for the other legs.
- Place the Pedestal right up on the dolly wheels, spreading the spider legs if necessary.
- Turn the Tensioning Pens (13) clockwise to make it possible to place the Spider Legs on top of them. After placing all three, tension them with the Pens turning them counter clockwise.
- Lock the (airless) Pedestal Column in the highest position using the locking lever (8).
- Take the High Pressure Pump that is supplied with your Pedestal and connect it to the Schrader Valve on the Air Pressure Block (23).

Bring the air pressure to the desired altitude depending on the camera load that is going to be used. During detaching of the pump there is some air leaving the system. We recommend to bring extra air in the system and let some air go out during fine tuning the camera with its accessories.





Note that the Base Piece (21) of the column has a white indication point that should be pointed at the white indication point on the Dolly Housing (15). This position makes the Pedestal with Spider ideal foldable.

3B EXTENDED SET-UPS (optional):

The Pedestal can be enlarged using the optional extension 150 and 300. For sitting work the above described set-up will do. For standing, depending on the length of the user the extensions are used.

Placing Extensions:

- Remove the three Locking Screws (22) that hold the column in the Base Piece (21) using the supplied hexagon key.

- Take off the Column with spider and lay it aside.

- Mount the extension(s) you need using the same hexagon key. Fix them firmly but do not use too much force for there is a chance of damaging the tool or the screws.

- Take the Column and mount it on top of the extension(s).

- Lower the Tensioning Pens (13)

- Loosen the Spider Clamp Ring (9) with the two locking screws and let it slide down until the spider legs fit the Tensioning Pens. Then fasten the Spider Clamp Ring again with both screws.

- Tension the Spider using the Tension Pens (counter clockwise).



3C LOW SET-UPS:

- Remove the three locking screws (5) that hold the Bowl Unit on the inside column (6) using the supplied hexagon key.

- Take off the Bowl Unit and lay it aside.

- Remove the three locking screws (22) that hold the column in the base piece (21) using the supplied hexagon key.

- Take off the Column with spider and lay it aside.

- Mount, if necessary the extension you need using the same hexagon key. Fix them firmly but do not use too much force for there is a chance of damaging the tool or the screws.

- Take the Bowl unit and mount it on top of the extension(s) or directly to the Base Piece (21) of the Dolly.

- A special low set up is possible using only the Bowl unit, placing it on its rubber feet on the ground or a table.

4. MOUNTING THE VIDEO CAMERA

- Be sure that vertical movement-locking knob (8) is tight and the wheels are locked (27, 28).
- Place the Pedestal on a stable and flat floor.
- Mount your camera Head on the 100mm bowl. When using a 75mm Head an 100/75 adapting plate is available from your Alphasatron supplier.
- Mount the camera to the Head using the integrated quick lock system. Apply all appropriate accessories to the camera up to the maximum of 20kg total load (camera, head & accessories together).
- If necessary use the Pump (18) to increase pressure to the air system or use the Set Knob (25) to decrease the pressure. Use the complete vertical stroke of the Pedestal Column to test what is the ideal situation.
- If too much air pressure is applied the safety valve (24) will open and an unknown amount of air will escape from the system to prevent it from being overloaded.

5. CABLE GUARDS (OPTIONAL)

The 125 mm low friction swivel wheels can optionally be equipped with cable guards according to the following mounting instructions.

1. 125 mm Swivel Wheel with double brake
2. Washer 25 mm
3. Cable Guard
4. Washer 16 mm (2x)
5. Knob M8
6. Locking Plate
7. Hexagon Bolt M8x65

- Remove the Bolt and Nut from the 125 mm wheel using the supplied tools

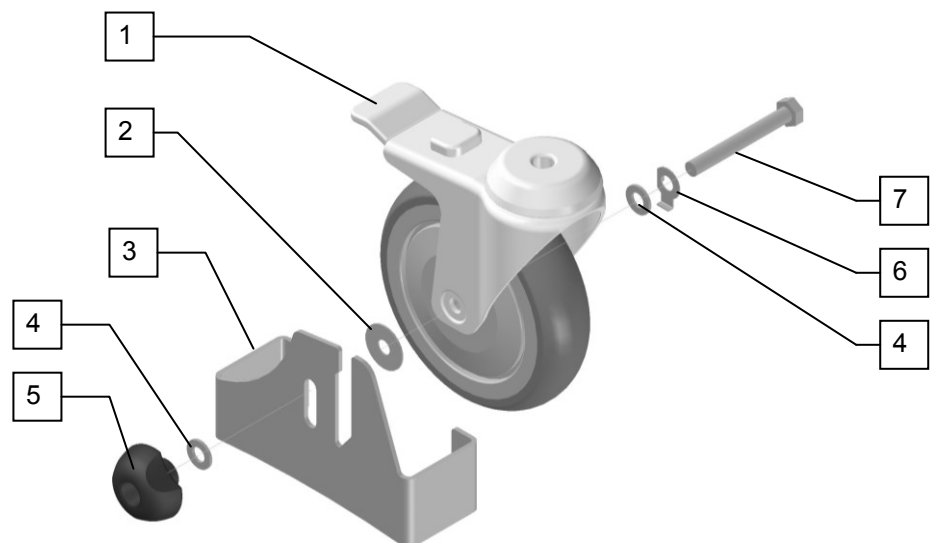
- Take the new hexagon Bolt, Locking Plate and small washer and put them through the Bracket and Wheel.

- Then Position the Cable Guard (3) around the M8 wheel (5) and put the larger washer 25mm (2), the Cable Guard, a small Washer (4) and the Knob on the Hexagon Bolt (7)

- Be sure that the locking plate (6) is put right to prevent the Bolt from turning when the Cable Guard is in place.

- Apply the same actions to the other wheels

The Cable Guard now is mounted and adjustable by the Knob, shifting it vertically, depending on the use of the Pedestal.



6. SPECIFICATIONS ALPHATRON PEDESTAL & DOLLY

- **Pedestal & Dolly Dimensions:**

Folded:	815x415x415mm (hxbxw)
Normal set up:	1591x160x406mm (lhxw)

- **Weight:**

Pedestal Column (without extensions):	6,3kg
Dolly:	4,9 kg
Alphatron Pedestal Extension 150mm:	0.5 kg
Alphatron Pedestal Extension 300mm:	0.8 kg

- **Maximum Load Camera System:** (Incl. Camera Head & accessories) 30kg

- **Vertical reach: Stroke 355 mm**

Normal set up:	790 mm - 1145 mm
+ 150 mm:	940 mm – 1295 mm
+ 300 mm:	1090 mm – 1445 mm
+ 450 mm (both ext.):	1240 mm – 1595 mm

ALPHATRON PEDESTAL

Distributed by Aspectra B.V.

This instruction manual has been compiled with the greatest possible care, however mistakes or changes in designs, specifications, visuals or any other information are under reserve. No rights can be derived in any way from the content of this manual. Specifications in this instruction manual are subject to change without notice.

For more information please visit: www.aspectra.nl