

DATA SHEET

V-Mount Camera Plate

PAG-9501 / EAN 5060854320117



V-MOUNT CAMERA PLATE
MODEL 9501 FEATURES
A SINGLE D-TAP OUTPUT

This V-Mount Camera Plate provides a secure mechanical and electrical connection between the camera, or other suitable equipment, and V-Mount batteries. It has a robust moulded construction and incorporates high-quality contact pins.

A single D-Tap output is incorporated, and situated on the top of the camera plate.

When placing an order, customers must specify the make and model of equipment they wish to power; this is to establish suitability and the type of interface plate required.

Specification:**Model 9501****Outputs:**

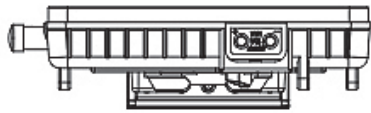
1 x D-Tap, 12V 10A (unregulated).

Dimensions:

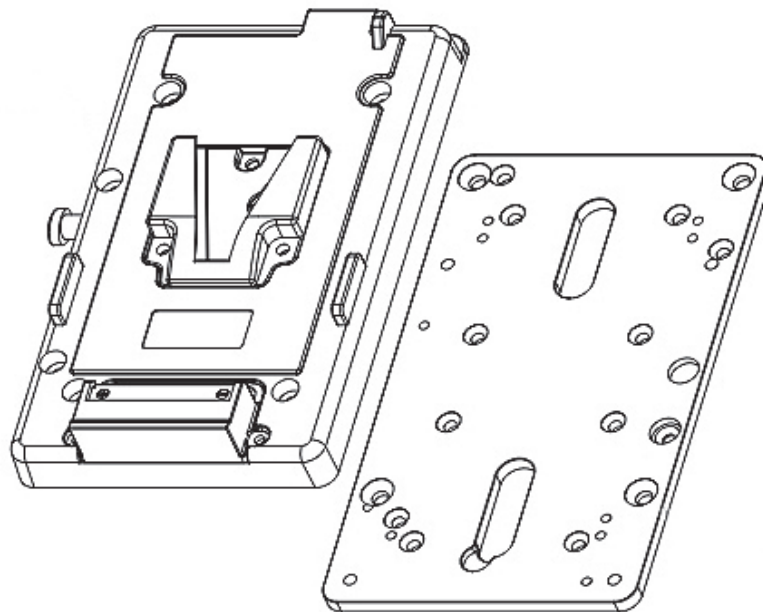
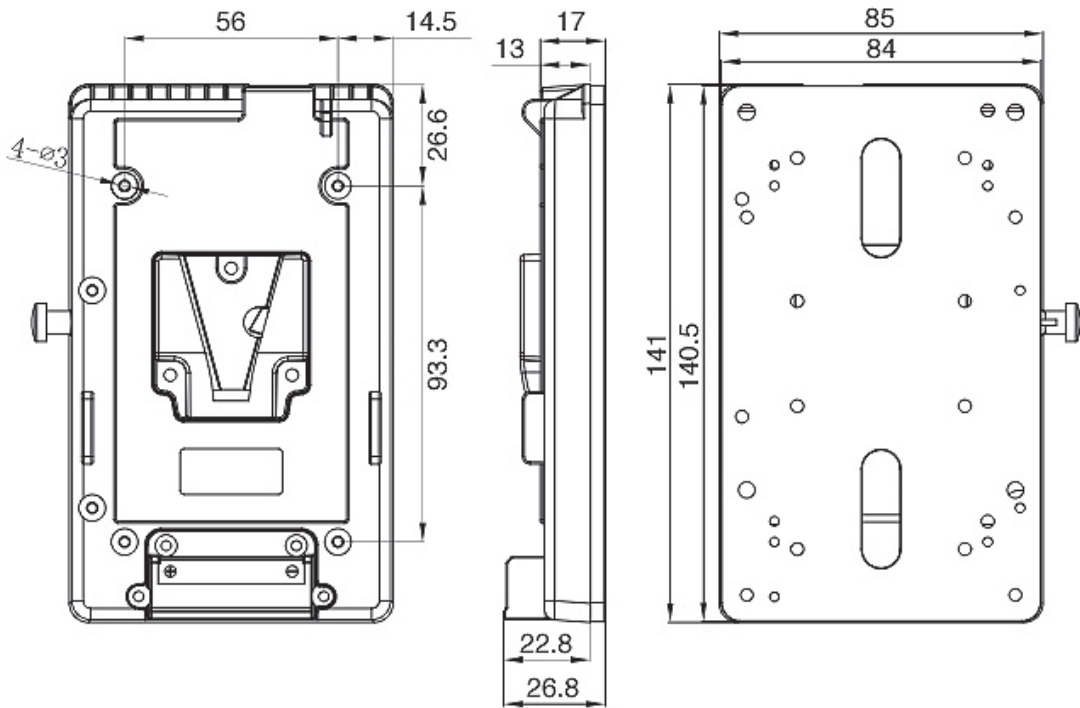
Length: 140mm (5.50").

Width: 85mm (3.35").

Height: 27mm (1.00").



ALL DIMENSIONS ARE IN MM



© PAG Ltd. PAG is the trademark of PAG Ltd. / PAG reserves the right to change the specifications contained herein without notice.



PAG Ltd. UK
565 Kingston Road
London SW20 8SA

E sales@paguk.com
T +44 (0)20 8543 3131
www.paguk.com